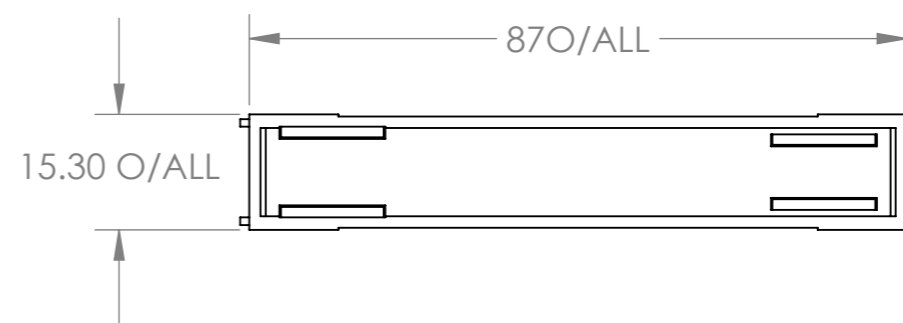
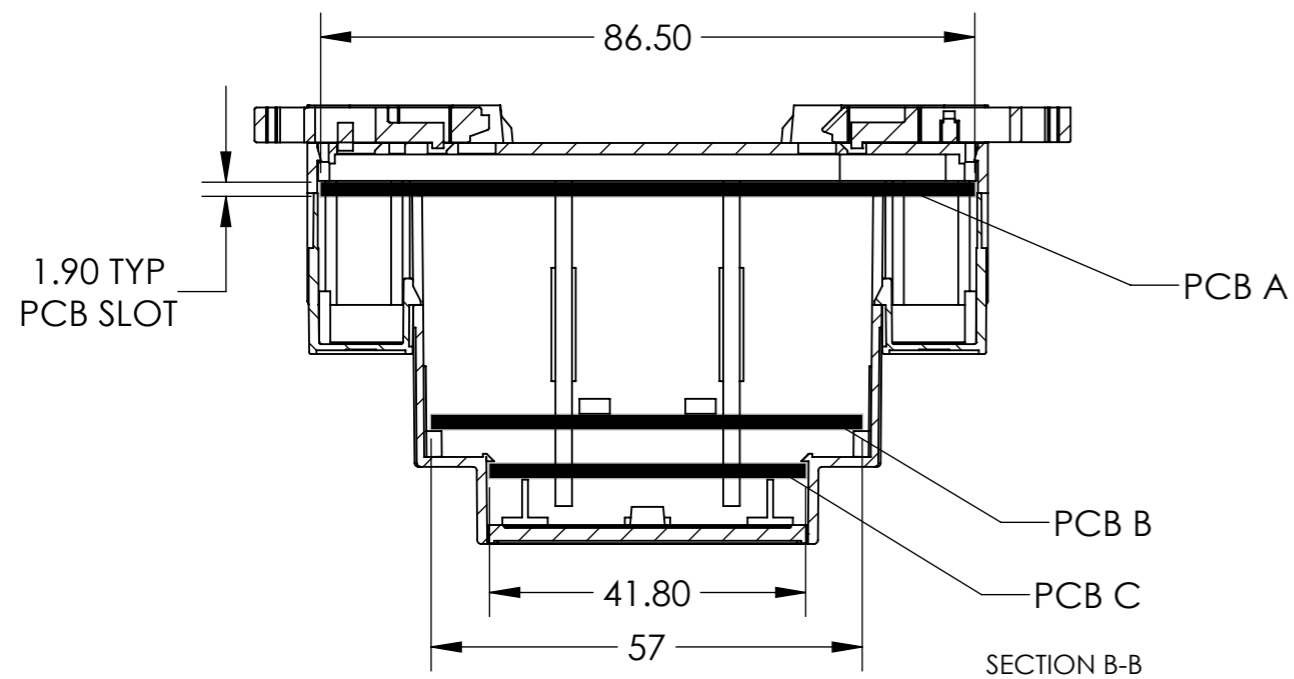
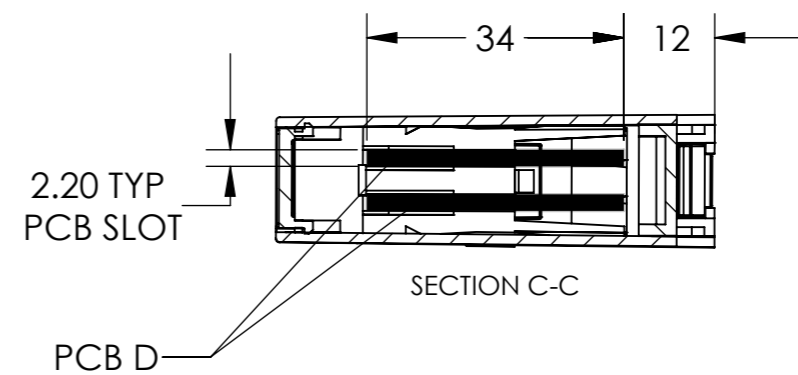
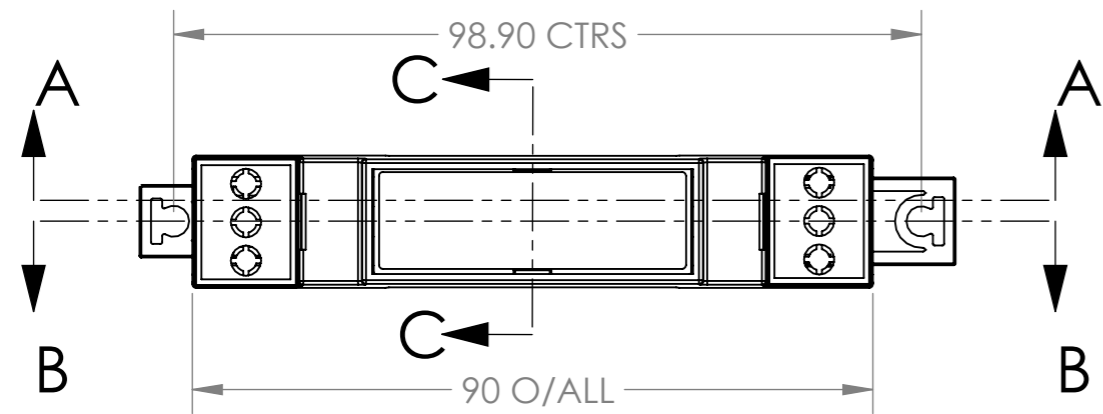


PCB DIMENSIONS (mm)	
A	86.5 x 14
B	57 x 14
C	41.8 x 14
D	34 x 59.6
E	40 x 14.8



<p><b>CAMDENBOSS</b></p> <p>JAMES CARTER RD, MILDENHALL, SUFFOLK. IP28 7DE          TEL: 01638 716101 FAX: 01638 716554          EMAIL: Sales@CamdenBoss.com          WEB: www.CamdenBoss.com</p>		UNLESS OTHERWISE SPECIFIED: DIMENSIONS ARE IN MILLIMETERS		DO NOT SCALE DRAWING	REVISION: 0
		FINISH: <b>SMOOTH</b>		TITLE: <b>GNL ASSY DRG FOR CNMB SERIES</b>	
MATERIAL: <b>UV94-VO PC</b>		DWG NO. <b>CNMB-1-Kit</b>		A3	
NAME: IAN PAGANO	SIGNATURE: I.P.	DATE: 04/09/13	PROJECTION:	SCALE: 1:1	SHEET 1 OF 1